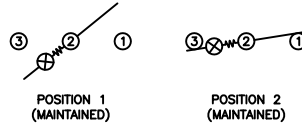


**SCHEMATIC**



**SPECIFICATIONS**

**FUNCTION:**  
1P1T OFF-ON

**RATINGS:**  
ANSI/UL 1054 and CAN/CSA C22.2 No. 55 (E194579):  
20A 125VAC [cURus]  
16A 250VAC [cURus]  
3/4HP 125/250VAC [cURus]

ANSI/UL 1054 (233821):  
16A 250VAC [CSAus]  
3/4HP 125/250VAC [CSAus]

EN 61058-1:2002 and DIN/VDE 0630:2003-03 (40017926):  
16(4)A 250V~ 1E4 μ T85/55 [ENEC10, VDE]  
10(2)A 250V~ 5E4 μ T85/55 [ENEC10, VDE]  
20(8)A 250V~ 1E4 μ T125/55 [ENEC10, VDE]

**ILLUMINATION VOLTAGE:**  
125V

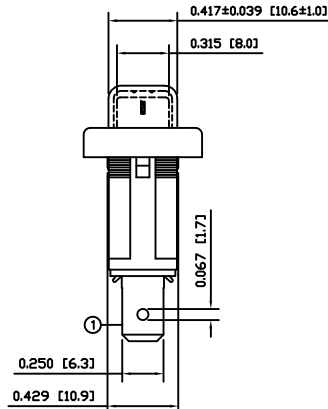
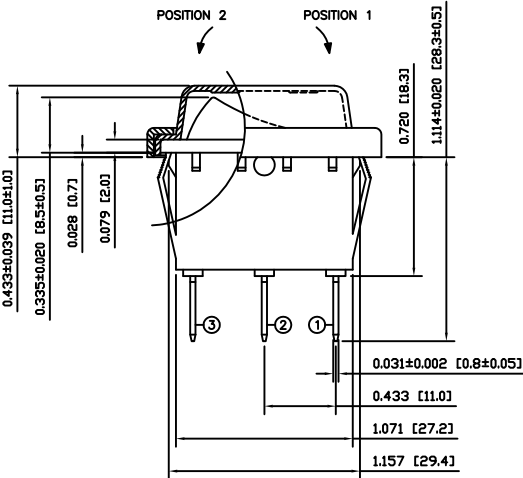
**CONTACT RESISTANCE:**  
Initial: 20mΩ Max.

**INSULATION RESISTANCE:**  
100MΩ Min. at 500VDC

**DIELECTRIC STRENGTH:**  
1,000VAC for 1 Minute

**ELECTRICAL LIFE:**  
6,000 Cycles [cURus, CSAus]  
10,000 Cycles [ENEC10, VDE: 16(4)A 250V~]  
50,000 Cycles [ENEC10, VDE: 10(2)A 250V~]

**TEMPERATURE:**  
Operating: -20°C to 65°C [cURus, CSAus]  
Operating: -20°C to 125°C [ENEC10, VDE]  
Operating: -20°C to 85°C [ENEC10, VDE]



**COLORS AND MARKINGS**

**BODY:**  
Black

**ACTUATOR:**  
Transparent Green

**MARKINGS:**  
I/O Vertical (1)

**MARKING COLOR:**  
White

**FRAME:**  
Black

**MATERIALS**

**BODY:**  
Polyamide 6/6 (PA66), UL94 V-2

**ACTUATOR:**  
Polycarbonate (PC), UL94 V-2

**LAMP CARRIER:**  
Polyamide 6/6 (PA66), UL94 V-2

**LAMP:**  
Neon Bulb

**LAMP SPRING:**  
Steel

**SPRING:**  
Steel

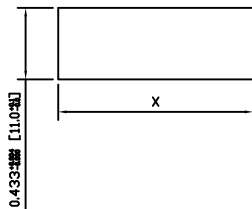
**CONTACTS:**  
Silver Plated Copper

**TERMINALS:**  
Silver Plated Copper  
Silver Plated Brass

**CAP:**  
Polyvinyl Chloride (PVC)

**FRAME:**  
Polyamide 6/6 (PA66), UL94 V-2

**SUGGESTED PANEL CUTOUT**



PANEL THICKNESS	X
0.030~0.049 [0.75~1.25]	1.189 [30.2]
0.049~0.079 [1.25~2.00]	1.201 [30.5]

ACTUATOR	A	09/07/06	CAB
BODY	A	09/07/06	CAB
COLORS	A	10/02/19	CAB
MATERIALS	A	09/12/09	CAB
SPECIFICATIONS	A	09/06/26	CAB
REFERENCE	REV.	DATE	BY

THE INFORMATION CONTAINED IN THIS DOCUMENT IS PROPRIETARY TO E-SWITCH AND IS NOT TO BE COPIED OR TRANSFERRED

INITIAL RELEASE	18992	10/02/19	CAB
DESCRIPTION	PCR	DATE	DRAWN BY

DIMENSIONS	TITLE
INCHES [MILLIMETERS]	RB141D1021-136/ACC-F01-1
GENERAL TOLERANCES	
±0.008 [±0.2] / ±1'	
SCALE	PROJECTION
DRAWING NOT TO SCALE	14-RB1S00029

RB141D1021-136/ACC-F01-1

ITEM NUMBER	DATE	REVISION
14-RB1S00029	FEBRUARY 19, 2010	A